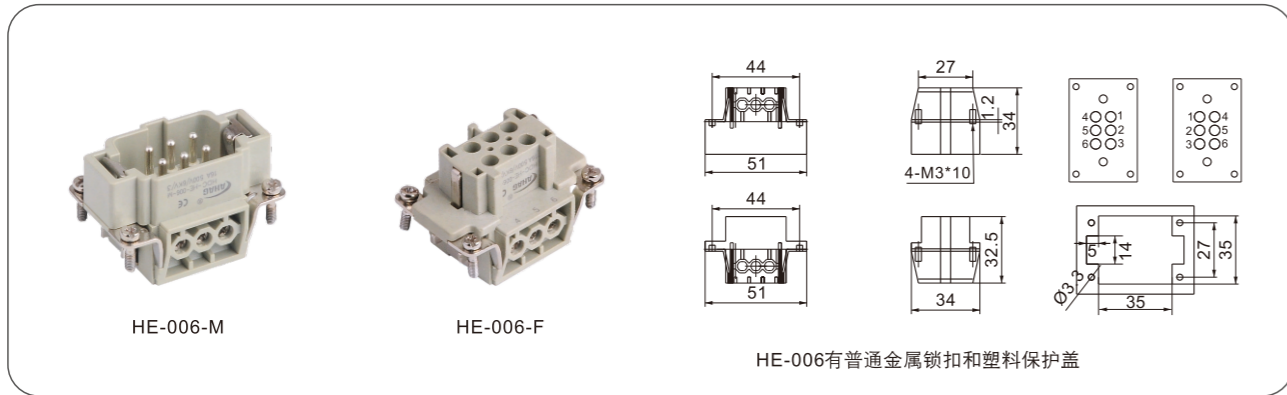
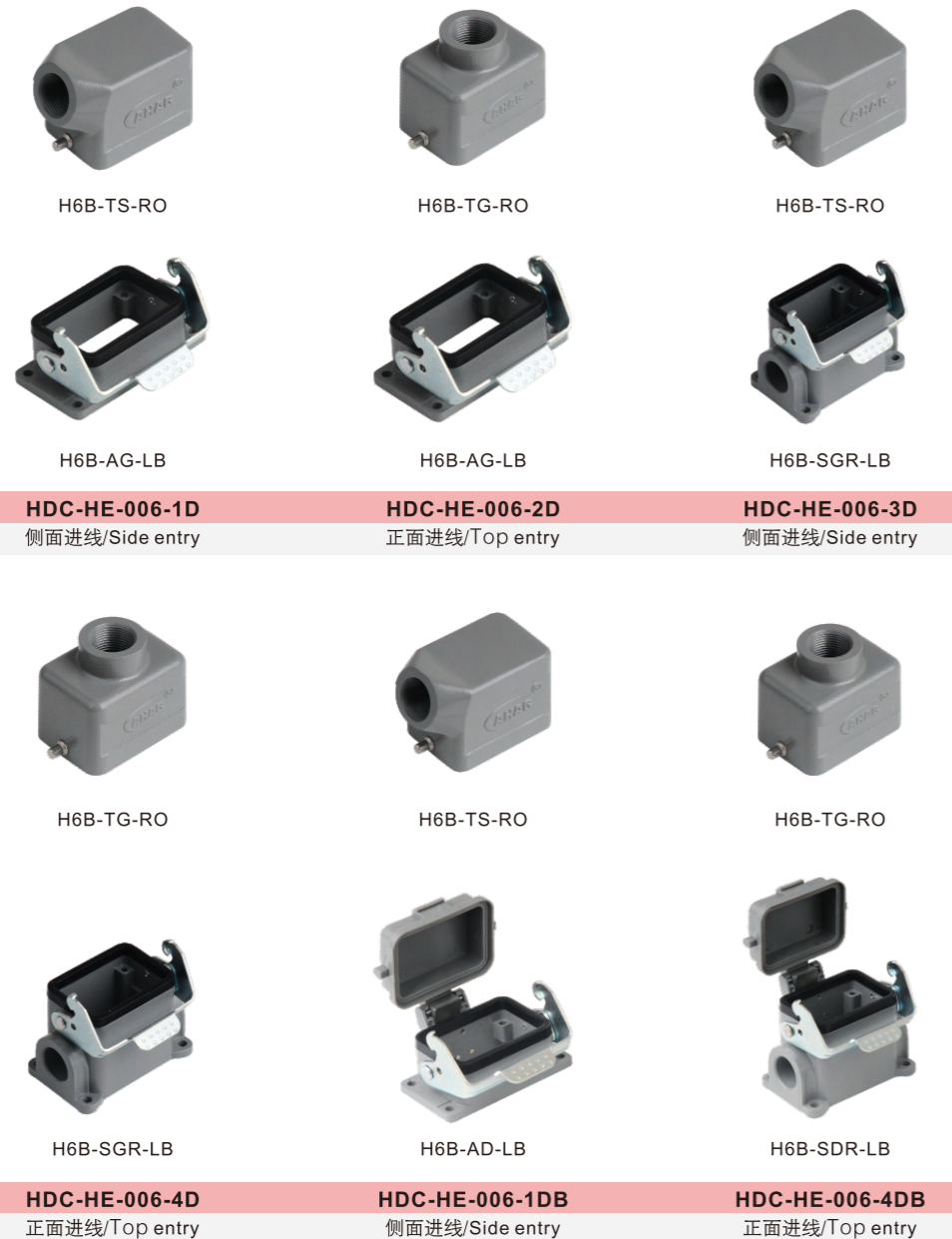


常用套件组合 / Set general introduction

HE系列6回路接插件套件 HE series 6 Poles of connector



工作电流: 16A
 工作电压: 400/500V
 阻燃等级(据UL94): V0
 防护等级: IP65
 接线形式: 螺钉压接
 弹片压接
 冷压针压接
 电缆入口可选螺纹:
 M20, PG16, PG21
 Rated current: 16A
 Rated voltage: 400/500V
 Flammability acc. to UL94: V0
 Degree of protection acc. to DIN40 050: IP65
 Terminal: Screw terminal
 Spring terminal
 Crimp terminal
 Thread: M20, PG16, PG21



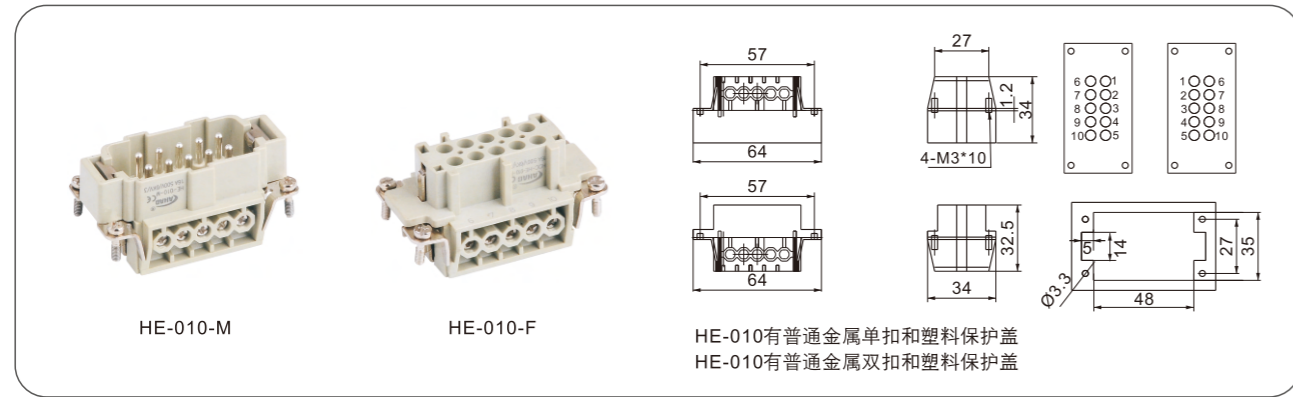
常用套件组合 / Set general introduction

配套外壳 / Suit hood/housing

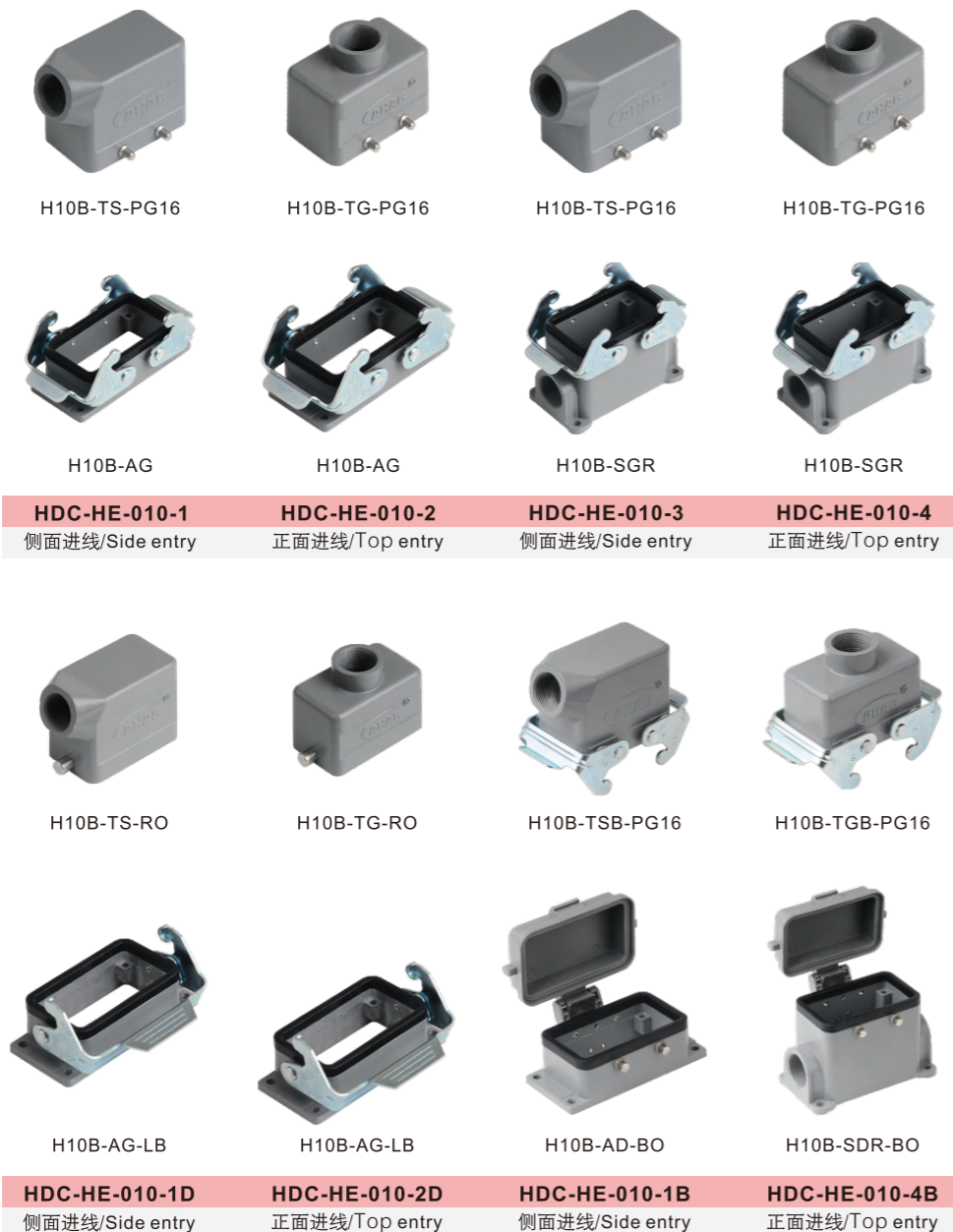
H6B 上壳 H6B hood	螺纹 Thread	型号 Type	图纸 Drawing	H6B 底座 H6B housing	螺纹 Thread	型号 Type	图纸 Drawing
外壳上壳: 侧面进线 Hood: Side entry				外壳底座: 开孔安装 Bulkhead: mounted			
	PG13.5 PG16 M20	H6B-TS-RO PG13.5 PG16 M20				H6B-AG-LB	
	PG13.5 PG16 M20	H6B-TS-RO PG13.5 PG16 M20				带保护盖 With protection covers H6B-AD-LB	
	高结构/High construction H6B-TSH-RO-	PG21 PG29 M25				H6B-SGR-LB	
外壳上壳: 顶部进线 Hood: Top entry				外壳底座: 表面安装 Surface mounted: Side entry			
	PG13.5 PG16 M20	H6B-TG-RO- PG13.5 PG16 M20			PG13.5 PG16 M20	H6B-SDR-LB	
	高结构/High construction H6B-TGH-RO-	PG16 PG21 PG29 M25			PG13.5 PG16 M20	带保护盖 With protection covers H6B-SDR-LB	
	PG13.5 PG16 M20	H6B-TG-RO PG13.5 PG16 M20					

常用套件组合 / Set general introduction

HE系列10回路接插件套件 HE series 10 Poles of connector

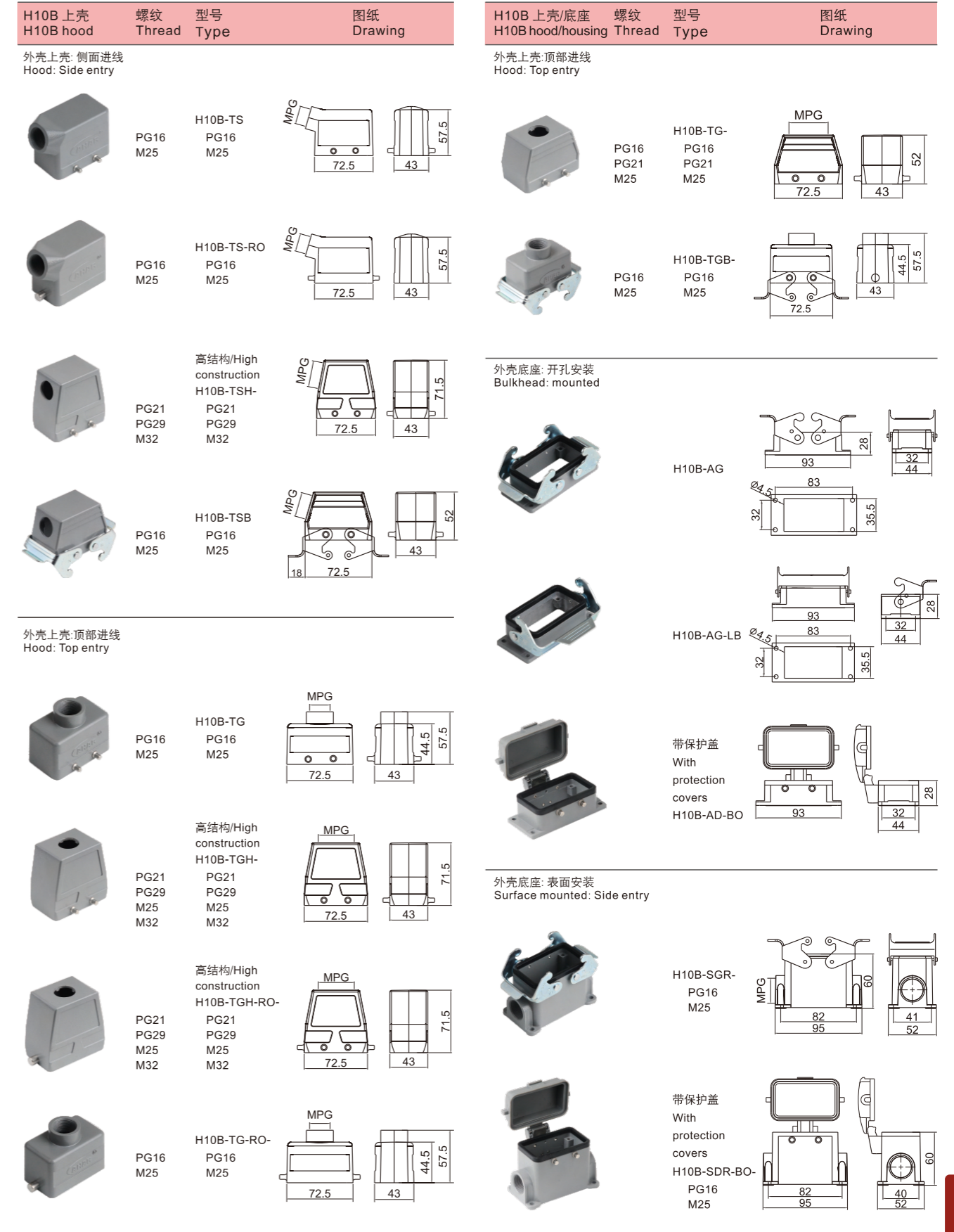


工作电流: 16A
工作电压: 400/500V
阻燃等级(据UL94): V0
防护等级: IP65
接线形式: 螺钉压接
 弹片压接
 冷压针压接
电缆入口可选螺纹:
M25, PG16, PG21
Rated current: 16A
Rated voltage: 400/500V
Flammability acc. to UL94: V0
Degree of protection acc. to DIN40 050: IP65
Terminal: Screw terminal
 Spring terminal
 Crimp terminal
Thread: M25, PG16, PG21



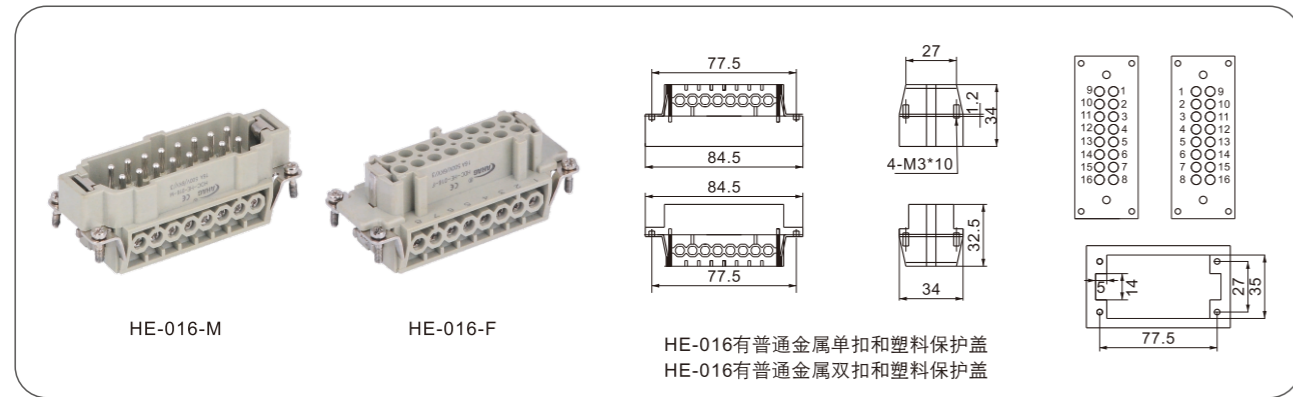
常用套件组合 / Set general introduction

配套外壳 / Suit hood/housing

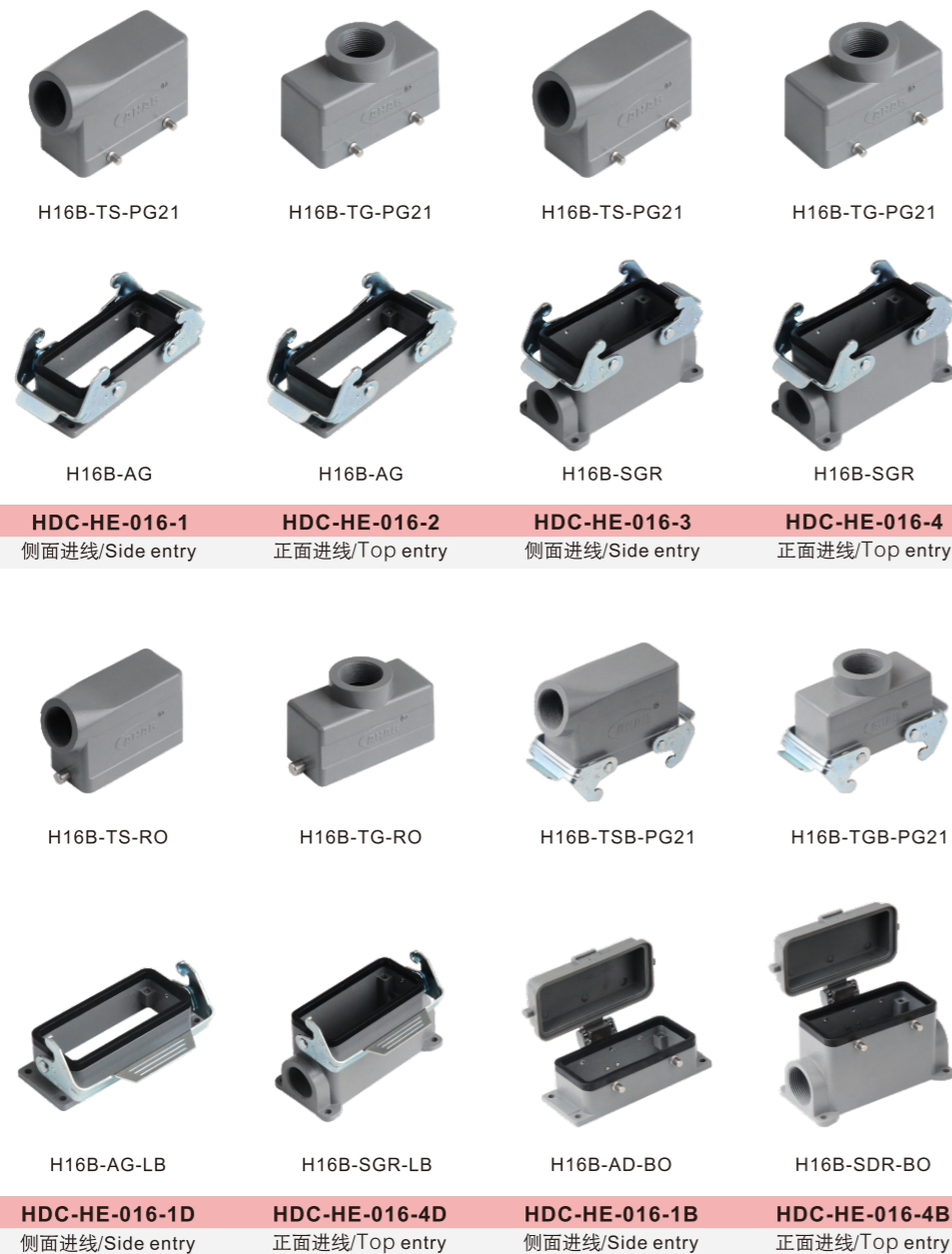


常用套件组合 / Set general introduction

HE系列16回路接插件套件(带双扣) HE series 16 Poles of connector(With 2 levers)



工作电流: 16A
工作电压: 400/500V
阻燃等级(据UL94): V0
防护等级: IP65
接线形式: 螺钉压接
弹片压接
冷压针压接
电缆入口可选螺纹:
M25, PG21, PG29, M32
Rated current: 16A
Rated voltage: 400/500V
Flammability acc. to UL94: V0
Degree of protection acc. to DIN40 050: IP65
Terminal: Screw terminal
Spring terminal
Crimp terminal
Thread: M25, PG21,
PG29, M32



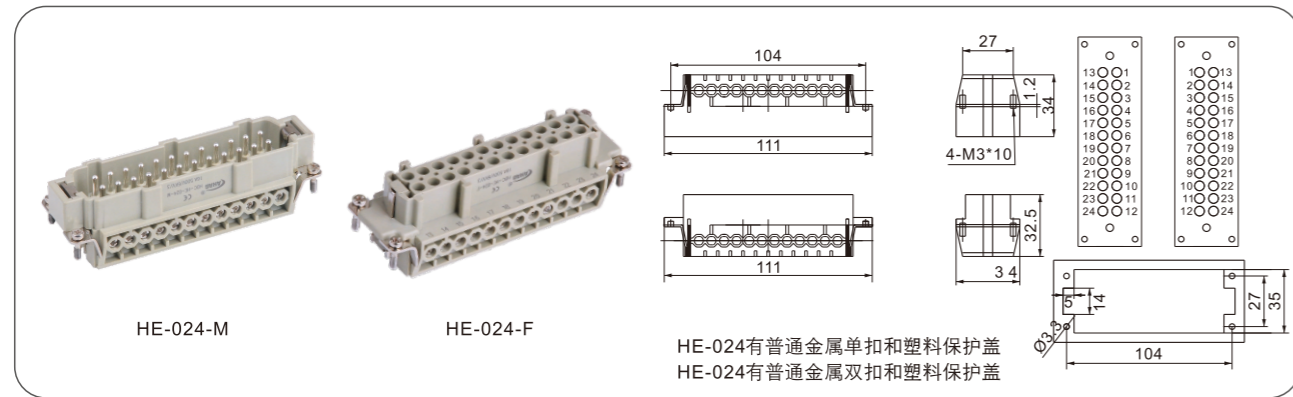
常用套件组合 / Set general introduction

配套外壳 / Suit hood/housing

H16B 上壳 H16B hood	螺纹 Thread	型号 Type	图纸 Drawing	H16B 上壳/底座 H16B hood/housing	螺纹 Thread	型号 Type	图纸 Drawing
外壳上壳: 侧面进线 Hood: Side entry				外壳上壳: 顶部进线 Hood: Top entry			
	PG21 M25 M32	H16B-TS- PG21 M25 M32			PG29	高结构/High construction H6B-TGH- PG29	
	PG29	高结构/High construction H16B-TSH- PG29			PG21 M25 M32	H16B-TG-RO PG21 M25 M32	
	PG21 M25 M32	H16B-TS-RO- PG21 M25 M32			PG29	H16B-TGH-RO PG29	
	PG29	H16B-TSH-RO- PG29		顶部带双扣上壳 Top entry housing with 2 levers			
	PG21 PG29 M32	H16B-TSHB- PG21 PG29 M32			PG21 M25 M32	H16B-TGB- PG21 M25 M32	
侧面带双扣上壳 Side entry housing with 2 levers				外壳底座: 开孔安装 Bulkhead: mounted			
	PG21 M25 M32	H16B-TSB- PG21 M25 M32			H16B-AG		
	PG21 M25 M32	H16B-TS- PG21 M25 M32			H16B-AG-LB		
	PG29	H16B-TSHB- PG29		外壳底座: 表面安装 Surface mounted: Side entry			
	PG21 M25 M32	H16B-TG- PG21 M25 M32			PG21 PG29 M25	H16B-SGR- PG21 PG29 M25	
外壳上壳: 顶部进线 Hood: Top entry				4耳带盖底座 Bulkhead mounted with 2 bolts			
	PG21 M25 M32	H16B-TG- PG21 M25 M32			H16B-AD-BO		
	PG21 M25 M32	H16B-TG- PG21 M25 M32			PG21 PG29 M25	H16B-SDR-BO- PG21 PG29 M25	

常用套件组合 / Set general introduction

HE系列24回路接插件套件(带双扣) HE series 24 Poles of connector(With 2 levers)



工作电流: 16A
工作电压: 400/500V
阻燃等级(据UL94): V0
防护等级: IP65
接线形式: 螺钉压接
 弹片压接
 冷压针压接
电缆入口可选螺纹:
PG21, PG29, M32
Rated current: 16A
Rated voltage: 400/500V
Flammability acc. to UL94: V0
Degree of protection acc. to DIN40 050: IP65
Terminal: Screw terminal
 Spring terminal
 Crimp terminal
Thread: PG21, PG29, M32



常用套件组合 / Set general introduction

配套外壳 / Suit hood/housing

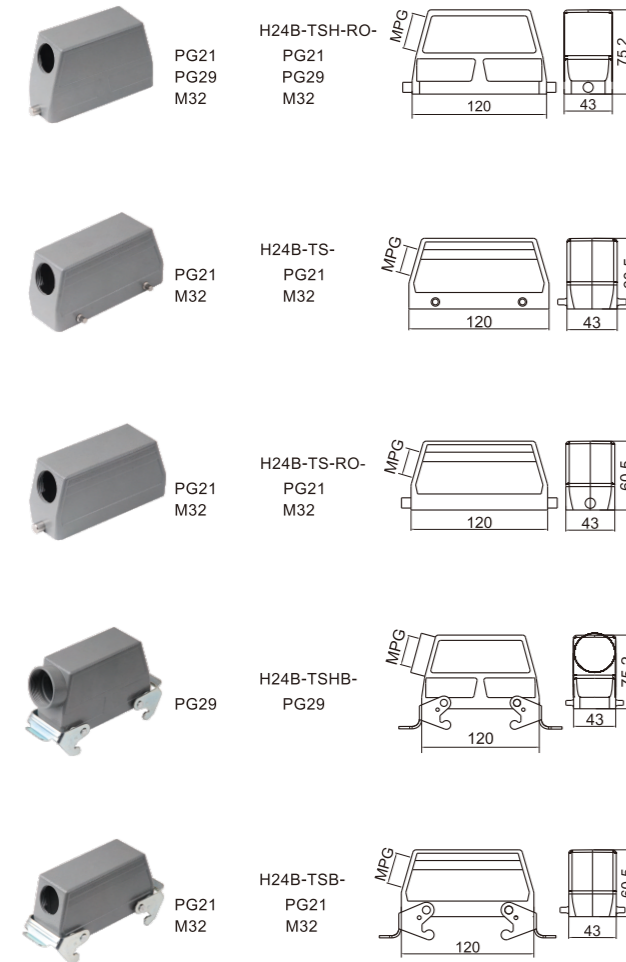
H24B 上壳 H24B hood	螺纹 Thread	型号 Type	图纸 Drawing	H24B 上壳/底座 H24B hood/housing	螺纹 Thread	型号 Type	图纸 Drawing
外壳上壳: 侧面进线 Hood: Side entry				外壳上壳: 顶部进线 Hood: Top entry			
	PG21 M25 M32	H24B-TS- PG21 M25 M32			PG29	高结构/High construction H24B-TGH- PG29	
	PG29	高结构/High construction H24B-TSH- PG29			PG21 PG29 M32	高结构/High construction H24B-TGH- PG21 PG29 M32	
	PG21 M25 M32	H24B-TS-RO PG21 M25 M32		外壳底座: 开孔安装 Bulkhead: mounted			
	PG29	高结构/High construction H24B-TSH-RO PG29			H24B-AG		
	PG21 PG29 M32	高结构/High construction H24B-TGH- PG21 PG29 M32		外壳底座: 表面安装 Surface mounted: Side entry			
	PG21 M25 M32	H24B-TG-RO PG21 M25 M32			PG21 PG29 M32	H24B-SGR- PG21 PG29 M32	
	PG29	H24B-TGH-RO PG29			PG21 PG29 M32	H24B-SGR-LB PG21 PG29 M32	
	PG21 M25 M32	H24B-TG- PG21 M25 M32		4耳带盖底座 Bulkhead mounted with 2 bolts			
	PG29	H24B-TGH-RO PG29			H24B-AD-BO		
	PG21 M25 M32	H24B-TG- PG21 M25 M32			H24B-AD-LB		

常用套件组合 / Set general introduction

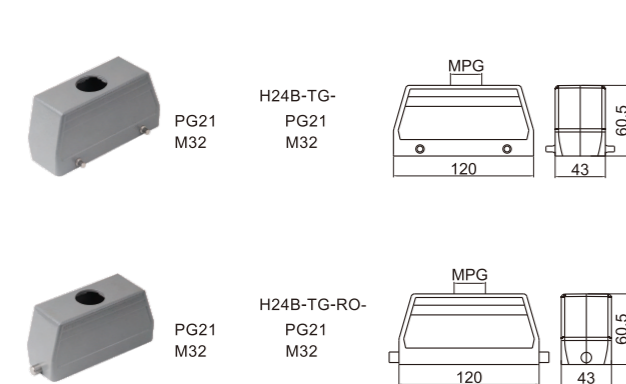
配套外壳 / Suit hood/housing

H24B 上壳 H24B hood	螺纹 Thread	型号 Type	图纸 Drawing
----------------------	--------------	------------	---------------

外壳上壳:侧面进线
Hood: Side entry

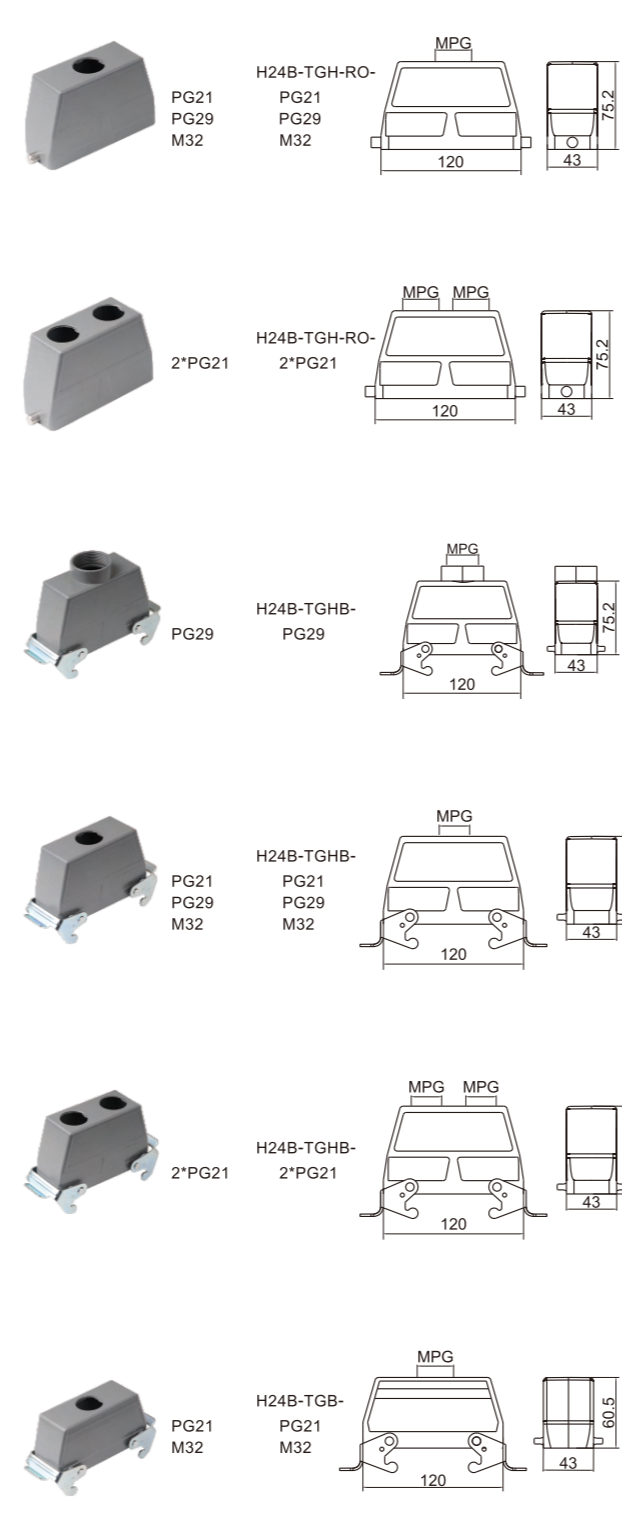


外壳上壳:顶部进线
Hood: Top entry



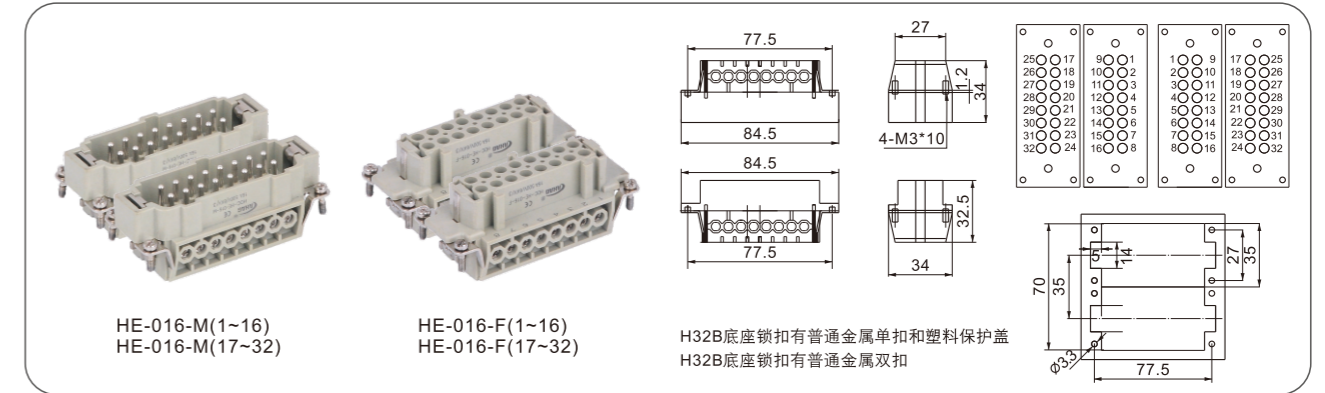
H24B 上壳 H24B hood	螺纹 Thread	型号 Type	图纸 Drawing
----------------------	--------------	------------	---------------

外壳上壳:顶部进线
Hood: Top entry

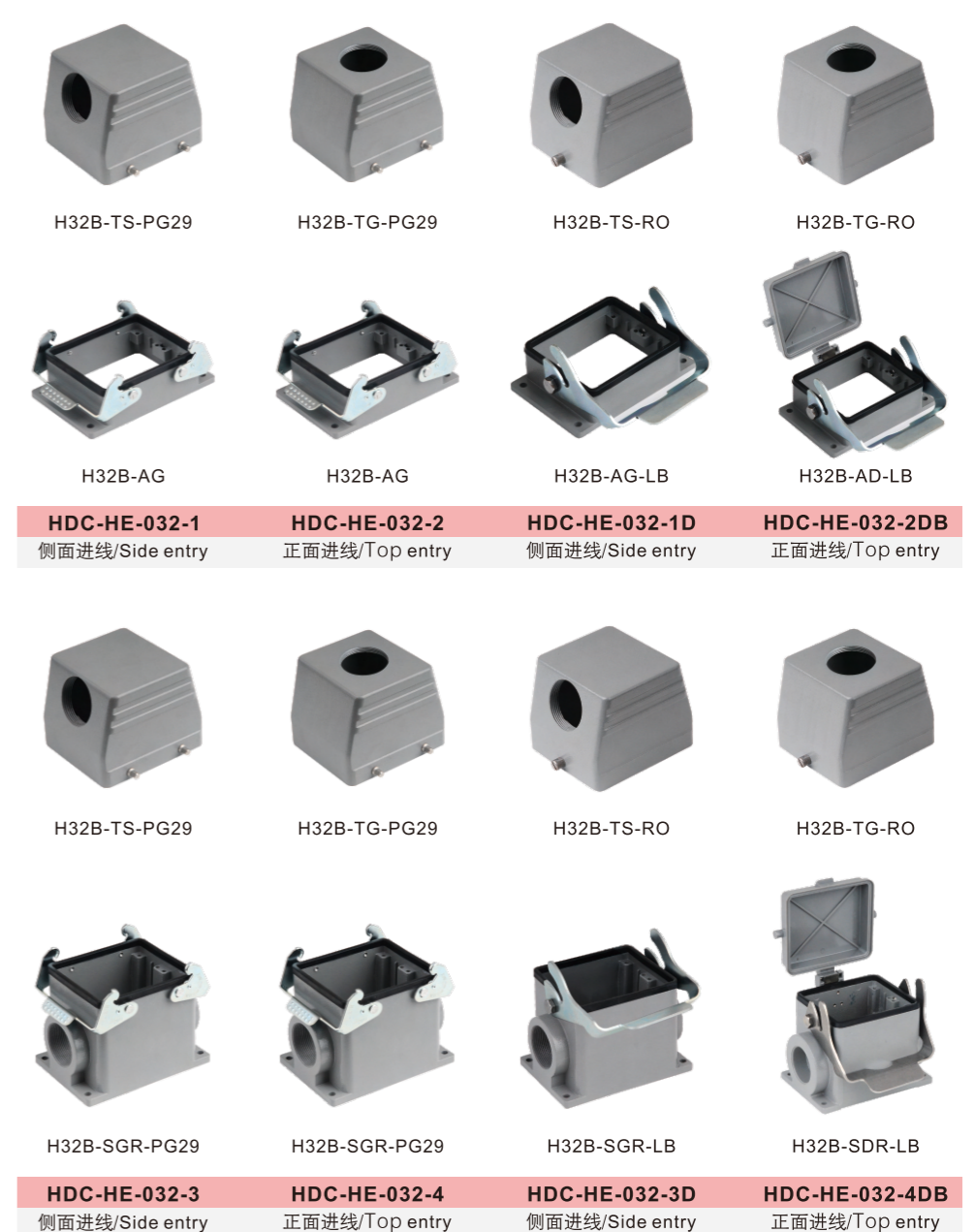


常用套件组合 / Set general introduction

HE系列32回路接插件套件(带单双扣) HE series 32 Poles of connector(With 1, 2 levers)



工作电流: 16A
工作电压: 400/500V
阻燃等级(据UL94): V0
防护等级: IP65
接线形式: 螺钉压接
弹片压接
冷压针压接
电缆入口可选螺纹:
M32, PG29
Rated current: 16A
Rated voltage: 400/500V
Flammability acc. to UL94: V0
Degree of protection acc. to DIN40 050: IP65
Terminal: Screw terminal
Spring terminal
Crimp terminal
Thread: M32, PG29

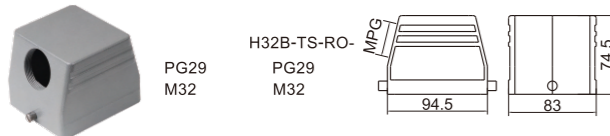
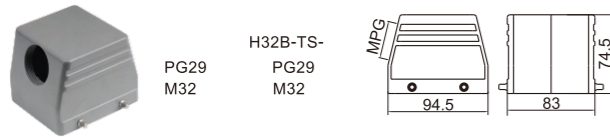


常用套件组合 / Set general introduction

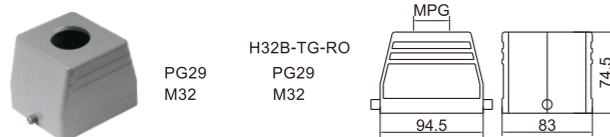
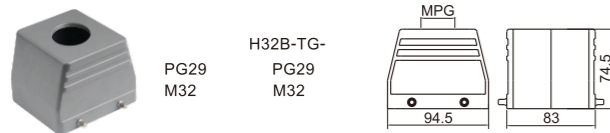
配套外壳 / Suit hood/housing

H32B 上壳/底座 螺纹 H32B hood/housing Thread	型号 Type	图纸 Drawing
---	------------	---------------

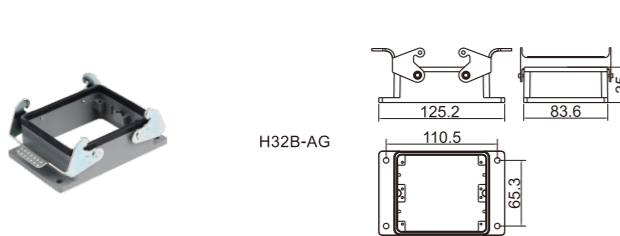
外壳上壳: 侧面进线
Hood: Side entry



外壳上壳: 顶部进线
Hood: Top entry

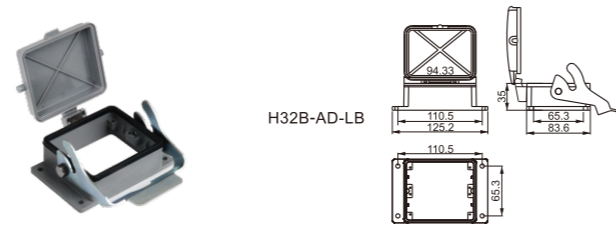
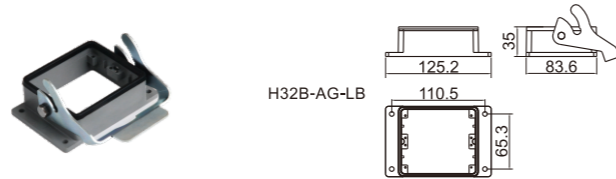


外壳底座: 开孔安装
Bulkhead: mounted

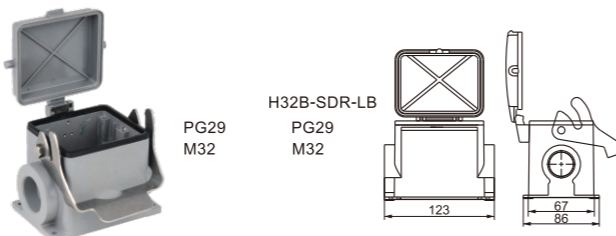
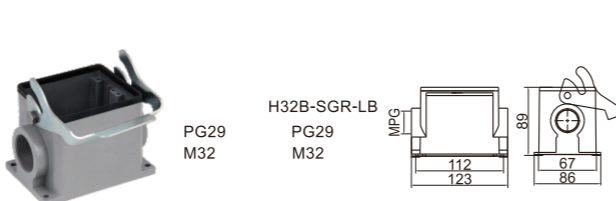
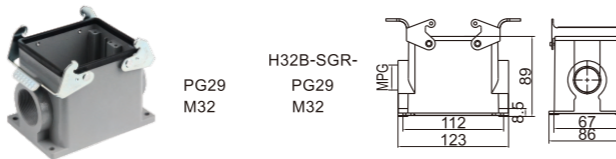


H32B 底座 螺纹 H32B housing Thread	型号 Type	图纸 Drawing
-----------------------------------	------------	---------------

外壳底座: 开孔安装
Bulkhead: mounted

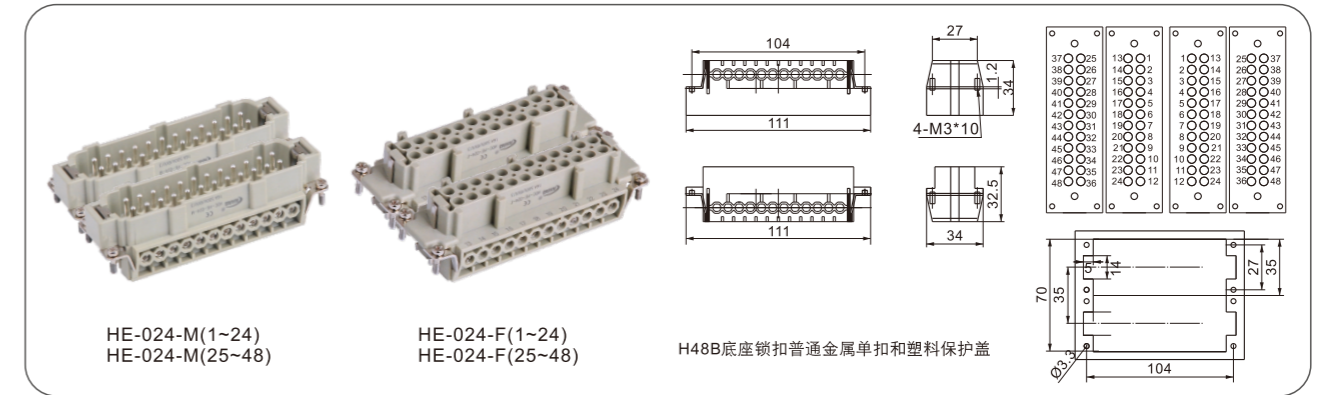


外壳底座: 表面安装
Surface mounted: Side entry

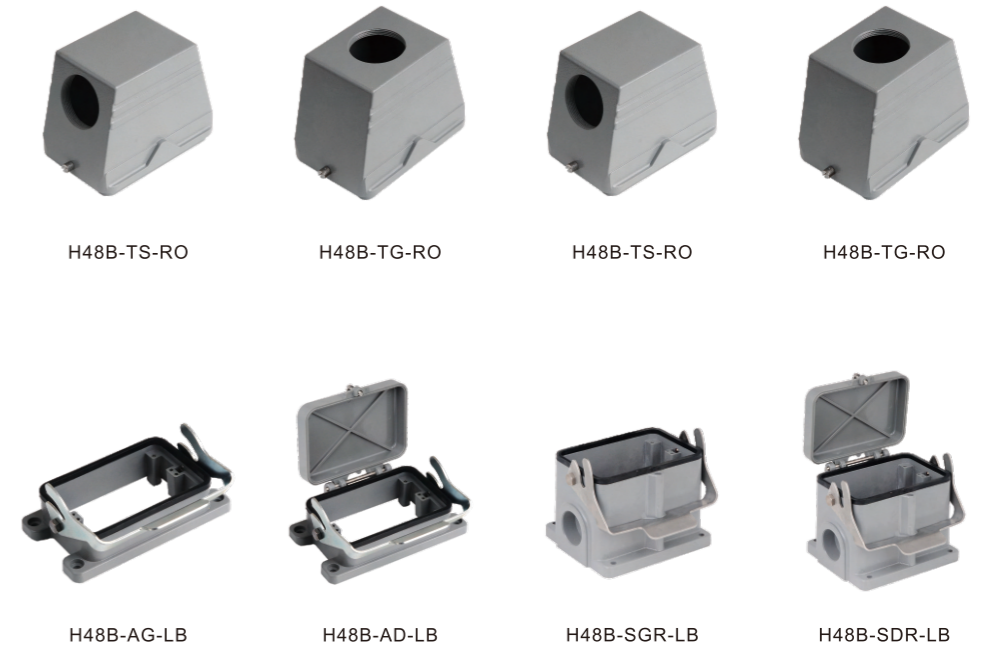


常用套件组合 / Set general introduction

HE系列48回路接插件套件 HE series 48 Poles of connector




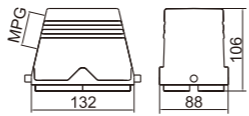
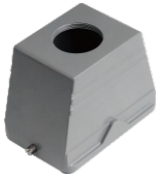
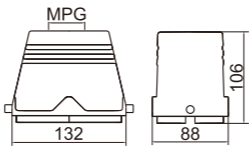


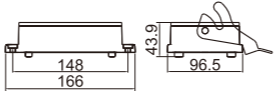
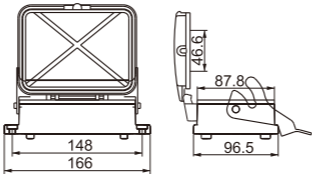


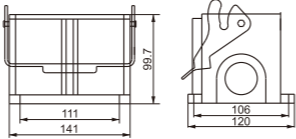
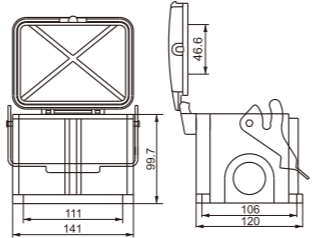
工作电流: 16A
工作电压: 400/500V
阻燃等级(据UL94): V0
防护等级: IP65
接线形式: 螺钉压接
弹片压接
冷压针压接
电缆入口可选螺纹:
PG29, PG36, M40
Rated current: 16A
Rated voltage: 400/500V
Flammability acc. to UL94: V0
Degree of protection acc. to DIN40 050: IP65
Terminal: Screw terminal
Spring terminal
Crimp terminal
Thread: PG29, PG36, M40



HDC-HE-048-1	HDC-HE-048-2DB	HDC-HE-048-3	HDC-HE-048-4DB
侧面进线/Side entry	正面进线/Top entry	侧面进线/Side entry	正面进线/Top entry

常用套件组合 / Set general introduction

配套外壳 / Suit hood/housing

H48B 上壳/底座 H48B hood/housing	螺纹 Thread	型号 Type	图纸 Drawing
<p>外壳上壳: 侧面进线 Hood: Side entry</p> 	PG29 PG36 M40	H48B-TS-RO-PG29 H48B-TS-RO-PG36 H48B-TS-RO-M40	
<p>外壳上壳: 顶部进线 Hood: Top entry</p> 	PG29 PG36 M40	H48B-TG-RO-PG29 H48B-TG-RO-PG36 H48B-TG-RO-M40	
<p>外壳底座: 开孔安装 Bulkhead: mounted</p>  		H48B-AG-LB H48B-AD-LB	 
<p>外壳底座: 表面安装 Surface mounted: Side entry</p>  	PG29 PG36 M40	H48B-SGR-LB-PG29 H48B-SGR-LB-PG36 H48B-SGR-LB-M40	
	PG29 PG36 M40	H48B-SDR-LB-PG29 H48B-SDR-LB-PG36 H48B-SDR-LB-M40	



HEE INSERT SERIES
HEE插体系列
高密度连接器